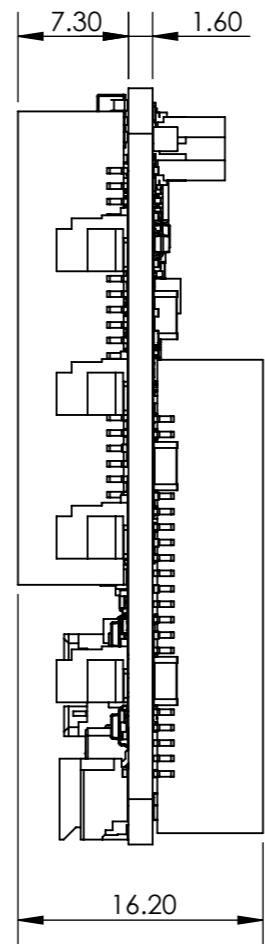
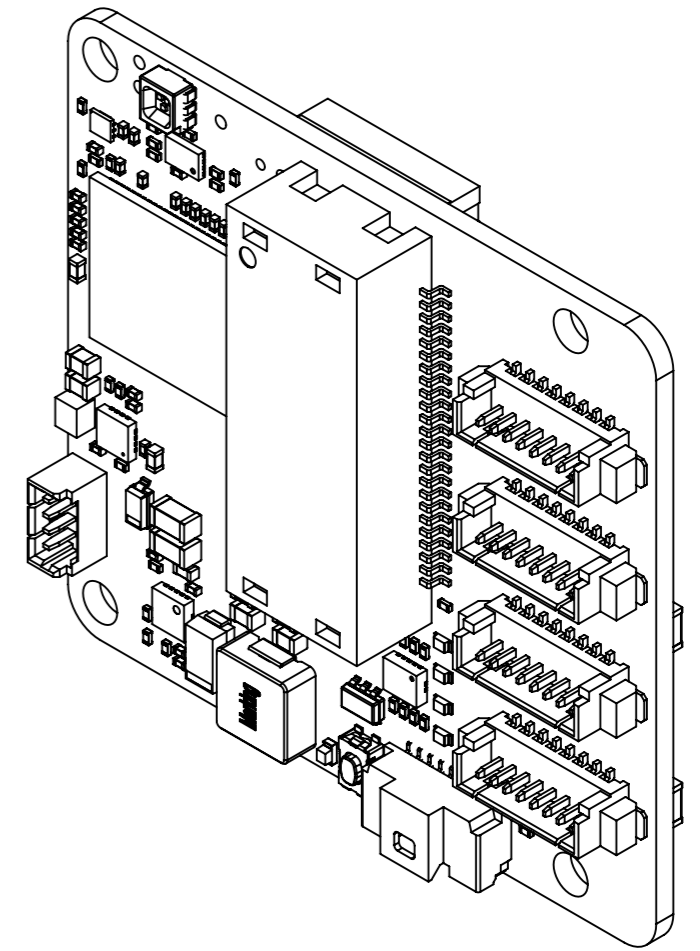


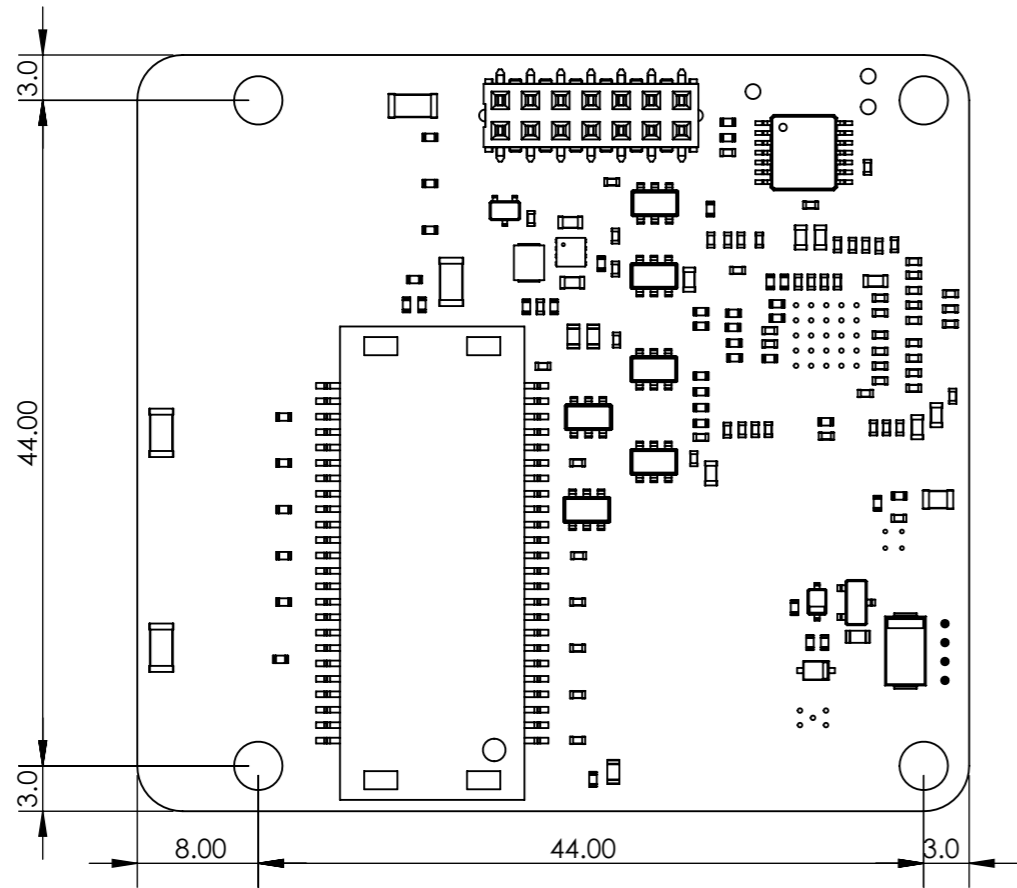
FRONT VIEW




SIDE VIEW



ISOMETRIC VIEW



BACK VIEW

UNLESS OTHERWISE SPECIFIED: DIMENSIONS ARE IN MILLIMETERS SURFACE FINISH: TOLERANCES: LINEAR: ANGULAR:		FINISH:		DEBURR AND BREAK SHARP EDGES		DO NOT SCALE DRAWING		REVISION	
DRAWN RIZA KAYA		SIGNATURE		DATE: 8/10/2021		SKU: BB-GGR-C-1			
CHK'D									
APP'VD									
MFG									
Q.A				COMPANY: <b>BotBlox</b>		TITLE: GigaBloxRugged Rev C		A3	
				WEIGHT:		SCALE:2:1		SHEET 1 OF 1	