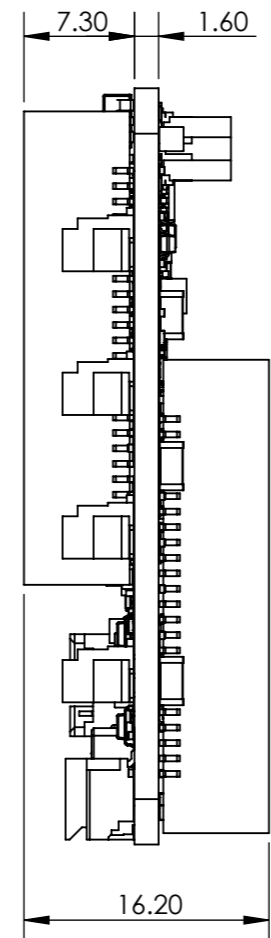
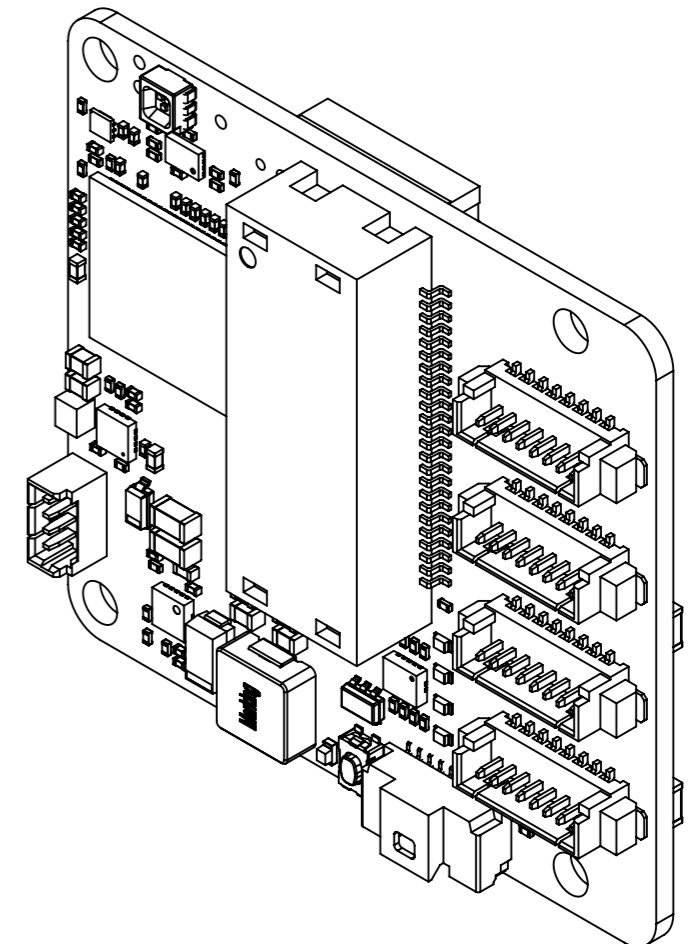


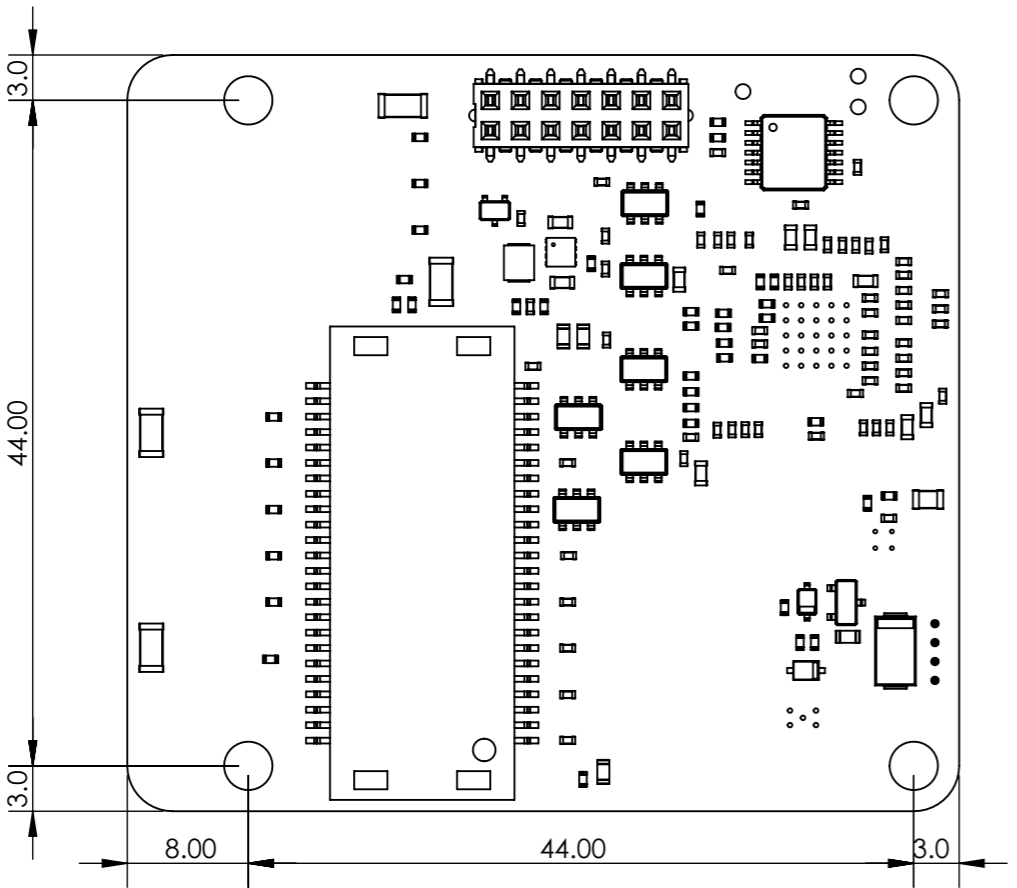
FRONT VIEW




SIDE VIEW



ISOMETRIC VIEW



BACK VIEW

UNLESS OTHERWISE SPECIFIED: DIMENSIONS ARE IN MILLIMETERS SURFACE FINISH: TOLERANCES: LINEAR: ANGULAR:		FINISH:	DEBURR AND BREAK SHARP EDGES		DO NOT SCALE DRAWING	REVISION
DRAWN RIZA KAYA		SIGNATURE	DATE: 8/10/2021	SKU: BB-GBR-C-1		
CHK'D						
APP'VD						
MFG						
Q.A						
			COMPANY: <b>BotBlox</b>	TITLE: GigaBloxRugged Rev C	A3	
			WEIGHT:	SCALE:2:1	SHEET 1 OF 1	